

Terminal Block, Plug

STB2040V-7.5-XX

Description

The STB2040V-7.5-XX is a terminal plug header with 7.5 mm pitch. The connector is available from 2 up to 24 poles and optionally in a horizontal orientation.



Typical applications

- Wire to Board
- Board to Wire



Features

Mechanical Properties	Description
Connector Type	Plug
Orientation	Horizontal
Dimensions	$((\text{Poles} * 7.5) - 1.8) \times 15.15 \times 18.25 \text{ mm} \pm 0.2$
Operating Temperature Range	-40°C~+105°C
Torque	0.4 Nm (3.54 Lb.in)
Pitch	7.5 mm
Cable Stripping length	7 ~ 8 mm
Housing	PA66, UL94V-0
Screw	Steel, Zn plated
Contact	Copper Alloy, Ni plated
Cage	Copper Alloy, Ni plated

Terminal Block, Plug

STB2040V-7.5-XX

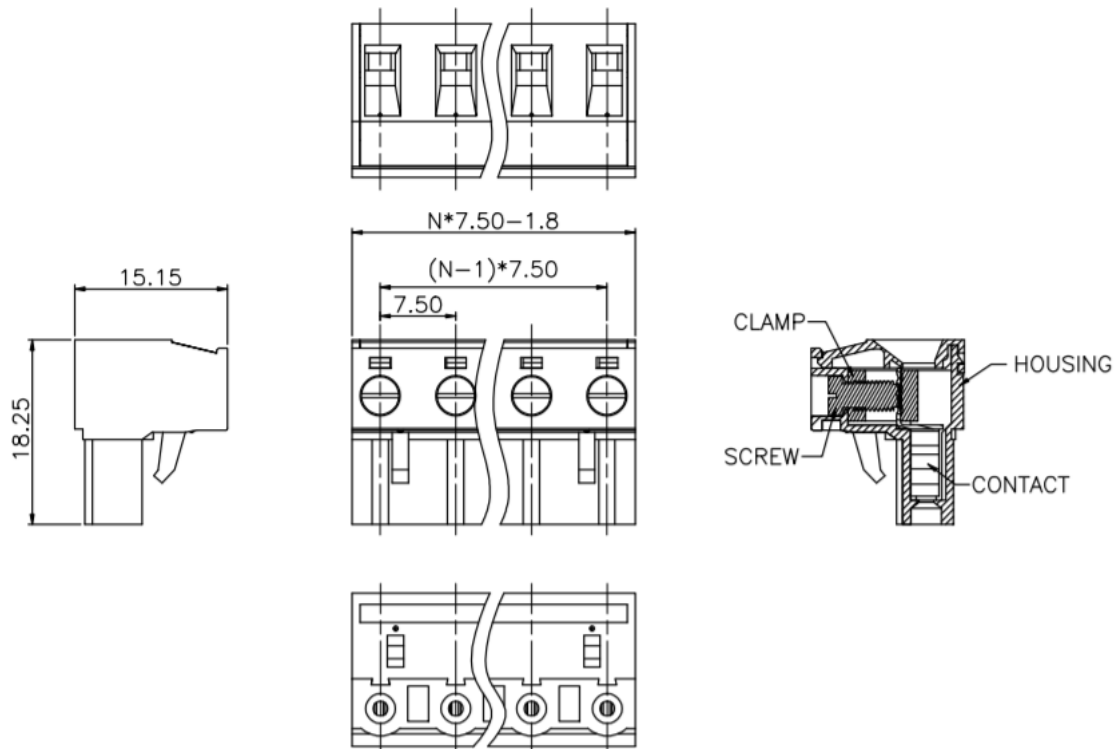
Electrical Properties

Description

Standard	UL	IEC
Rated Voltage	300V	400V
Rated Current	15A	20A
Withstanding Voltage	AC 1600V / 1Min.	
Wire Range:	12 – 28 AWG, 2.5mm ²	

Dimensions

*unit: mm, N= number of poles



Pole	2	3	4	5	6	7	8	9	10	11	12	13
Length	13,2	20,7	28,2	35,7	43,2	50,7	58,2	65,7	73,2	80,7	88,2	95,7
Pitch	7,5	15	22,5	30	37,5	45	52,5	60	67,5	75	82,5	90

Pole	14	15	16	17	18	19	20	21	22	23	24
Length	103,2	110,7	118,2	125,7	133,2	140,7	148,2	155,7	163,2	170,7	178,2
Pitch	97,5	105	112,5	120	127,5	135	142,5	150	157,5	165	172,5

Terminal Block, Plug

STB2040V-7.5-XX

Part number

STB2040X-XXX-XX

STB2040	Style of connector
V	Vertical
7,5	Pitch
XX	Poles 2,3,4,5,6,7,8, 9,10, 11,12, 13,14,15,16,17,18,19,20, 21,22,23,24

Ordering information

Ordering can be done via www.summit-electronics.com or via info@summit-electronics.com. Please contact us for more information. Customisation of the product is available on request.

Technical support

For all product questions please contact us via info@summit-electronics.com

Document revision

Rev	Date	Changes
V01.00	13-04-2023	First issue of document